

O I P E J C I 3 8  
SEP 2 1 2004  
PATENT & TRADEMARK OFFICE

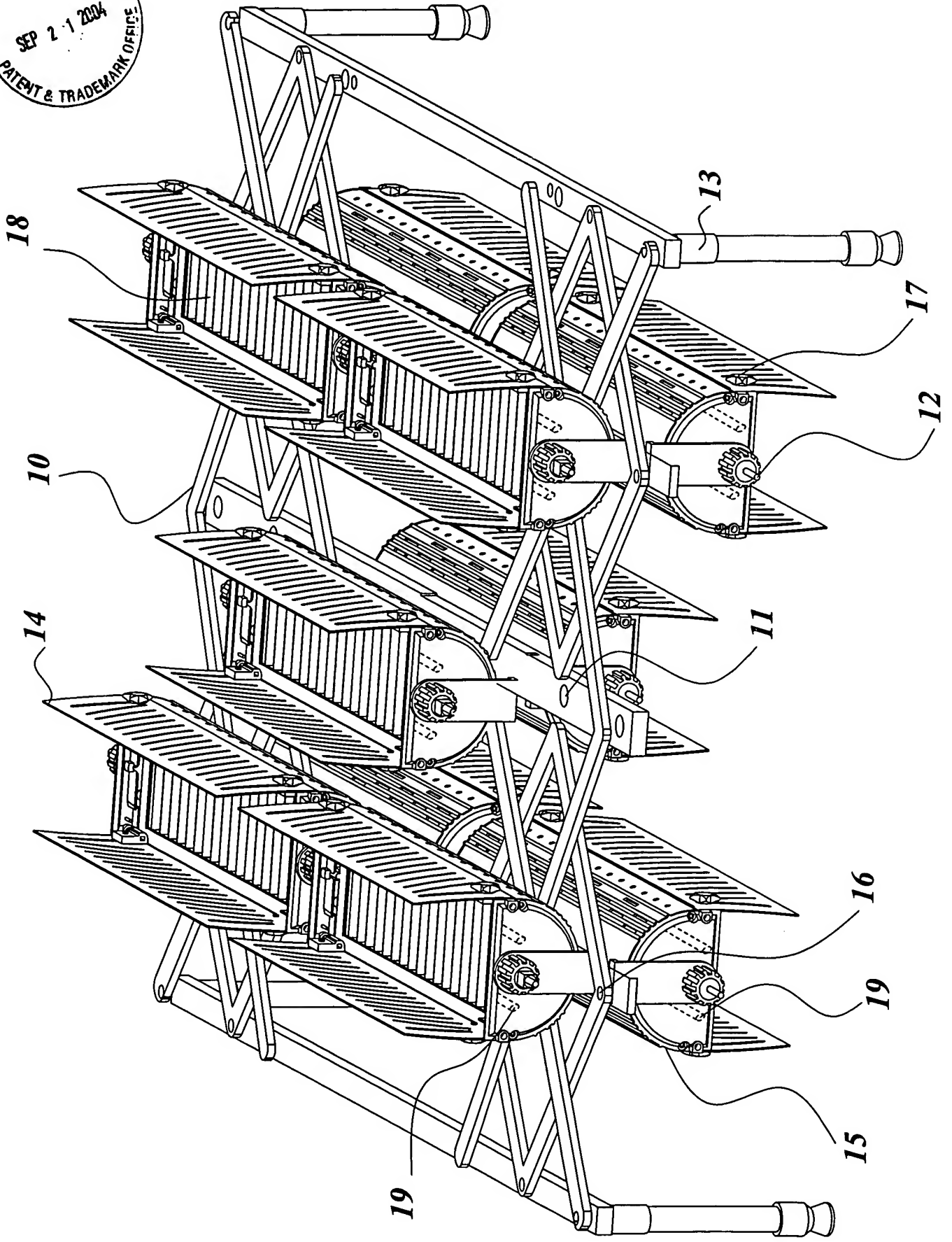


Figure 3

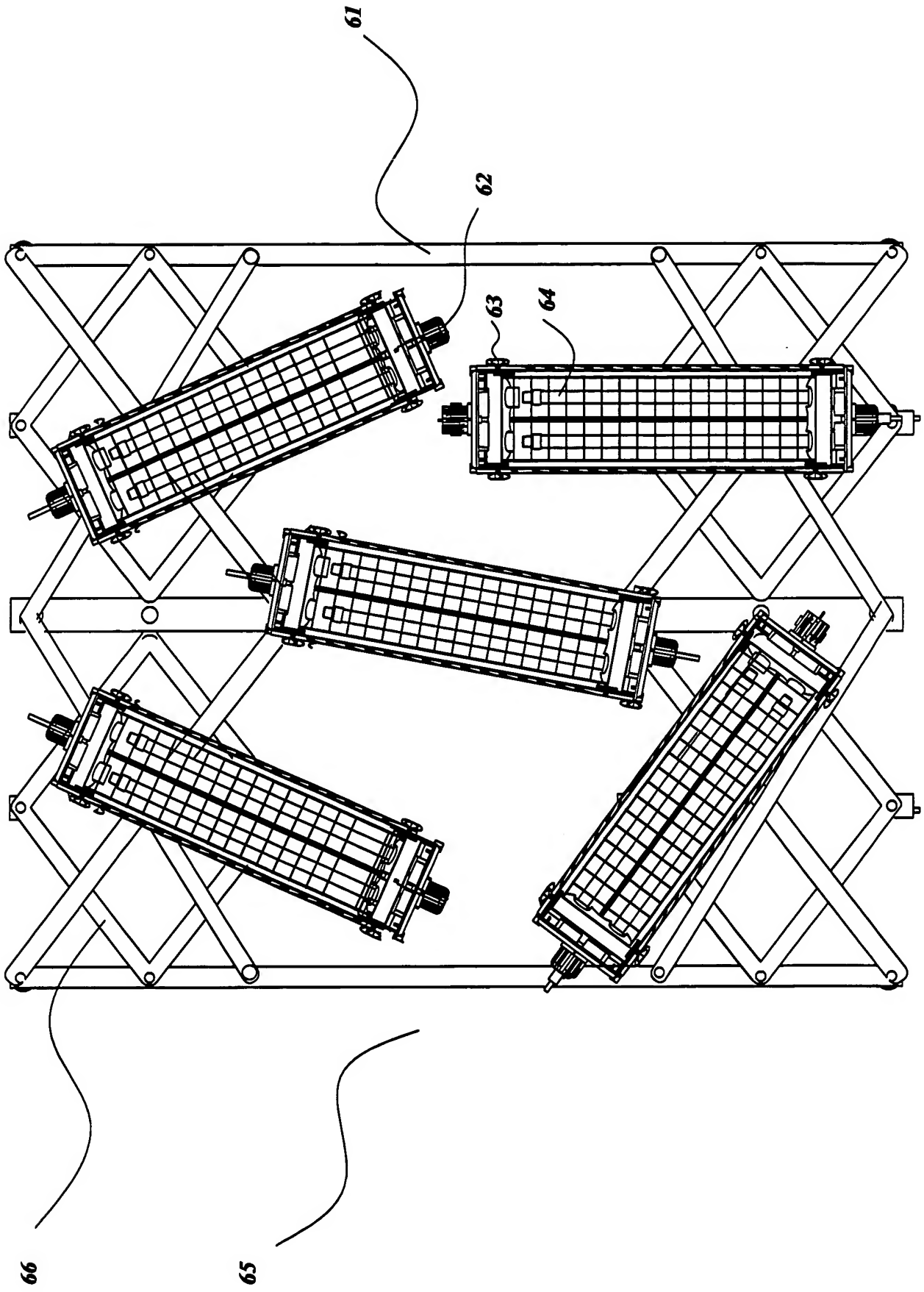
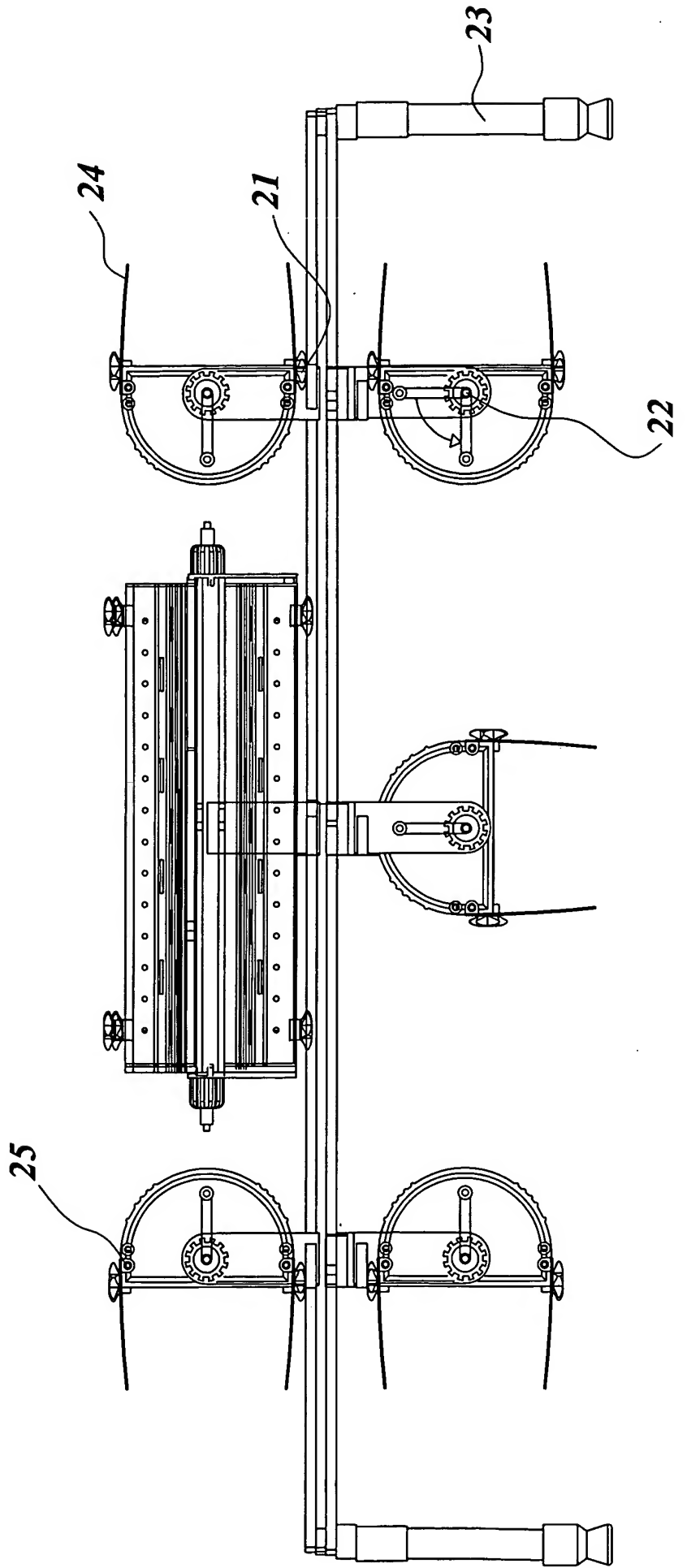


Figure 4



*Figure 5*

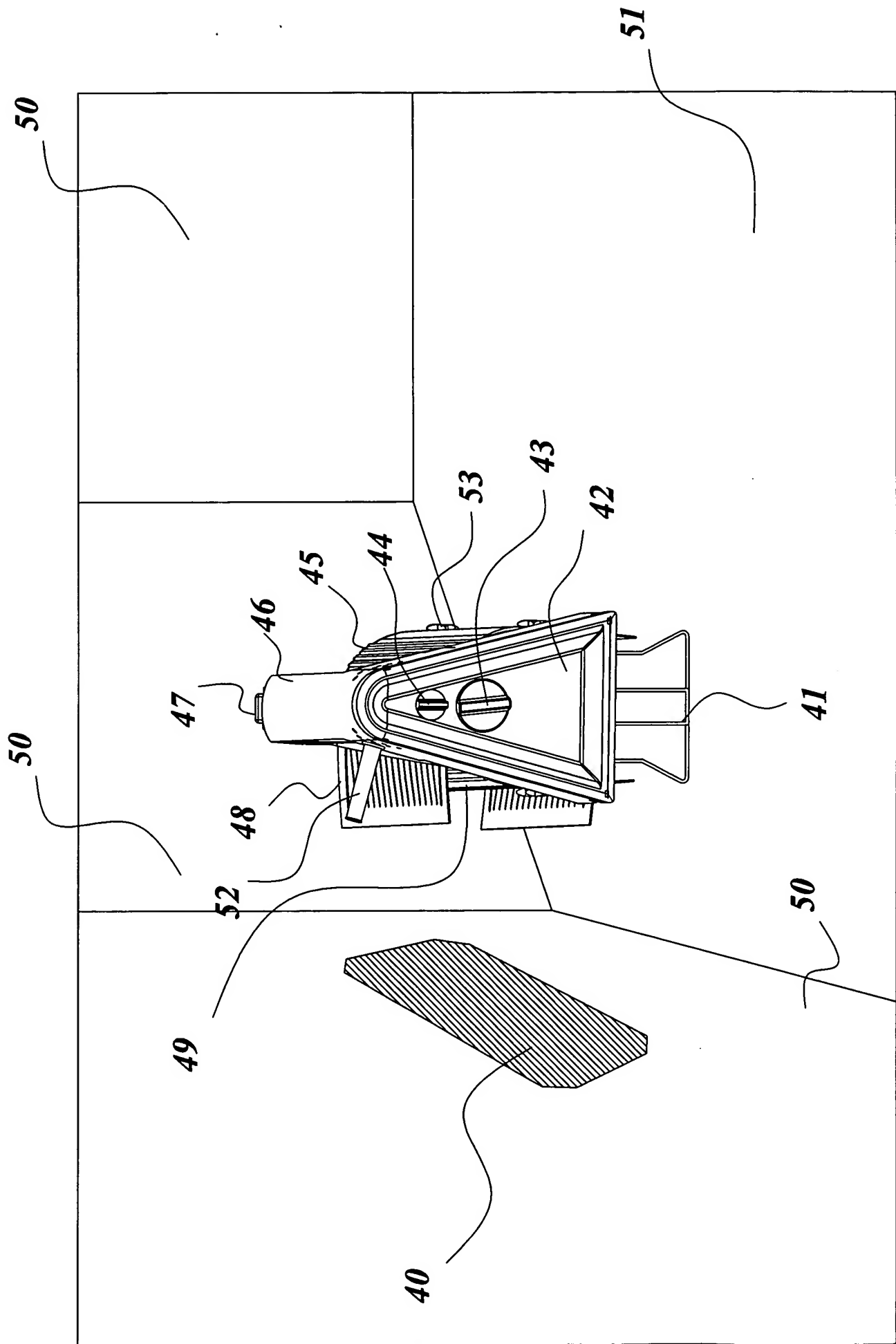


Figure 6

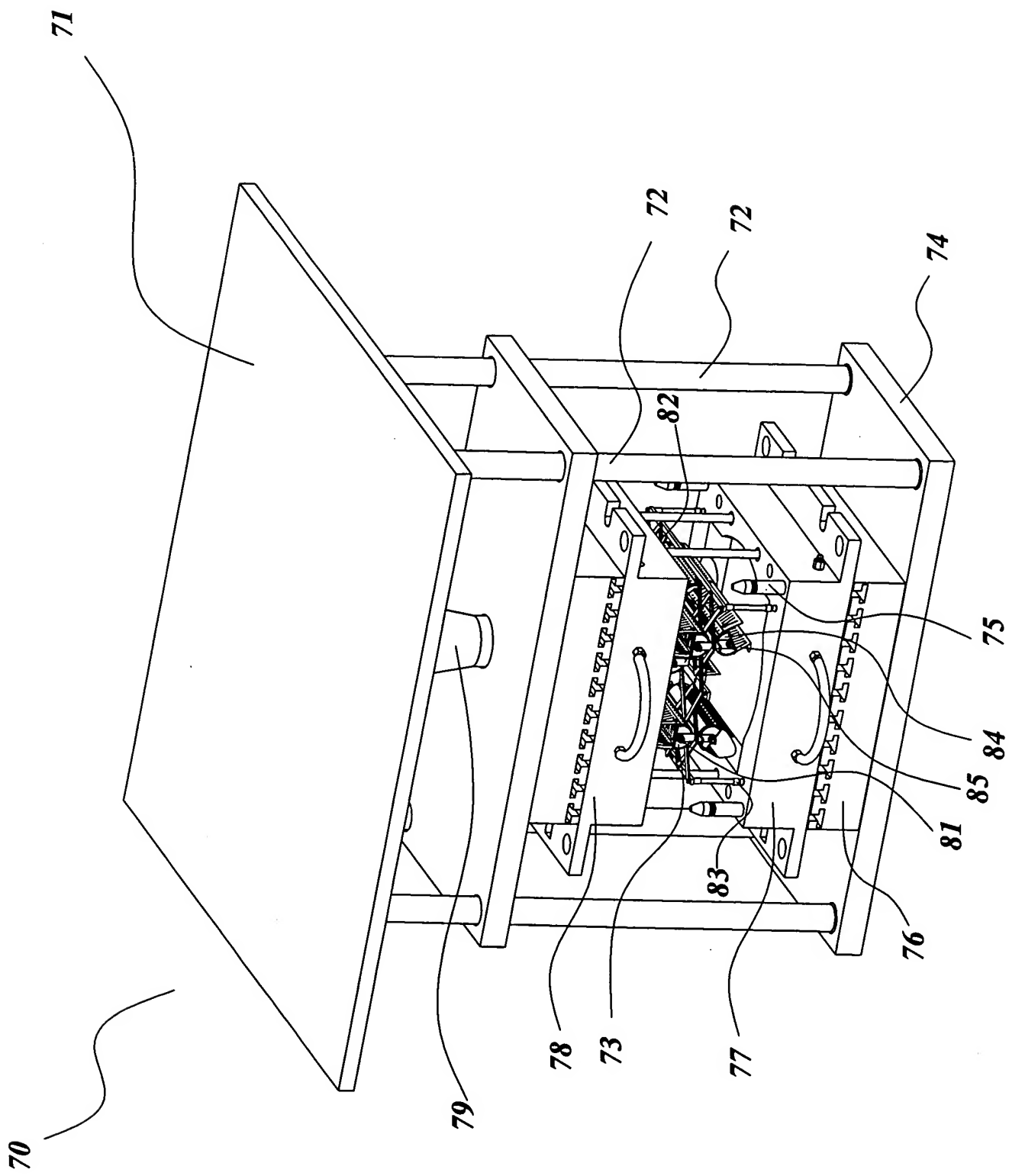


Figure 7